



REPAIR PARTS MANUAL
MODEL NO. RE11B36B
Lawn Tractor **11HP36 B**

Rally

HOW TO USE THIS MANUAL

This manual is designed to provide the customer with a means to identify the parts on his/her tractor when ordering repair parts. The illustrations may or may not represent the actual assemblies; therefore, it is not recommended to use this manual as a guide to assemble or disassemble the tractor. Some hardware and parts are drawn larger in order to more readily identify them.

Each tractor has its own model number.

The model number for your tractor can be found on the fender under the seat.

When ordering parts, always give the following information:

- Product - "Tractor"
- Model Number - "RE11B36B"
- Part Number
- Part Description

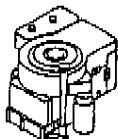


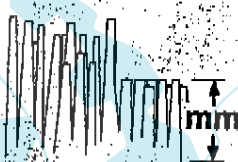

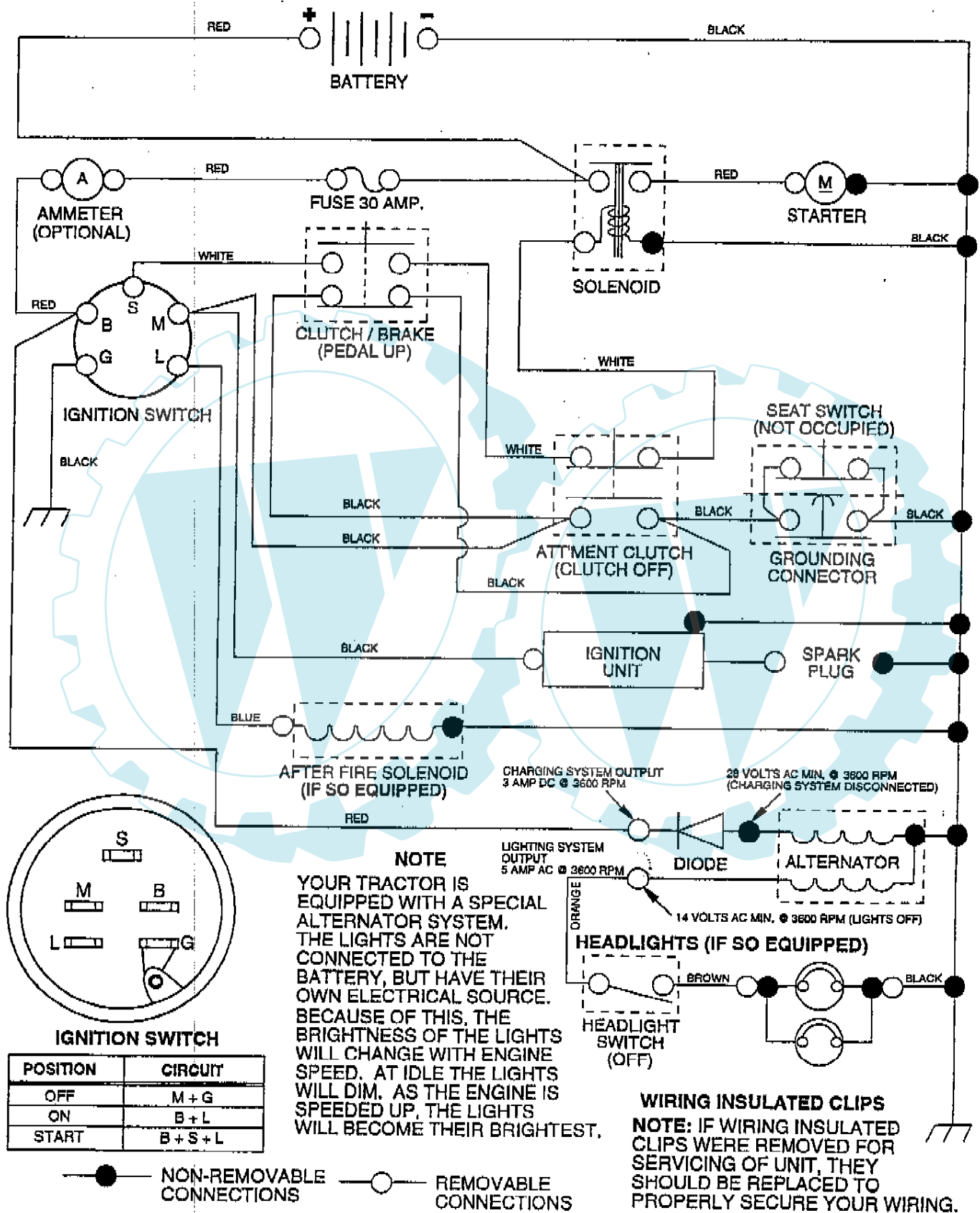
 hp/kw	 km/h	 cm	 mm	 KG	dB (A)	Vibration Vibration Vibración Vibrering Vibraasjon	Lärmpegel Vibratie Vibrazioni Vibration Tärinä m/s ²
11/8,2	0-6	91	25-89	250	100		4-8

TABLE OF CONTENTS

SCHEMATIC	3
ELECTRICAL	4-5
HOOD	6
FENDER/CHASSIS	7
SEAT	8
DASH	9
STEERING WHEEL	10
SECTOR GEAR/AXLE SUPPORT	11
FRONT AXLE	12
BRAKE/REAR MOWER LIFT ASSEMBLY	13
ENGINE/THROTTLE	14
GROUND DRIVE	15
TRANSAXLE	16
MOWER LIFT LEVER	17
MOWER DECK	18-19
DECALS	20

TRACTOR -- MODEL NUMBER RE11B36B

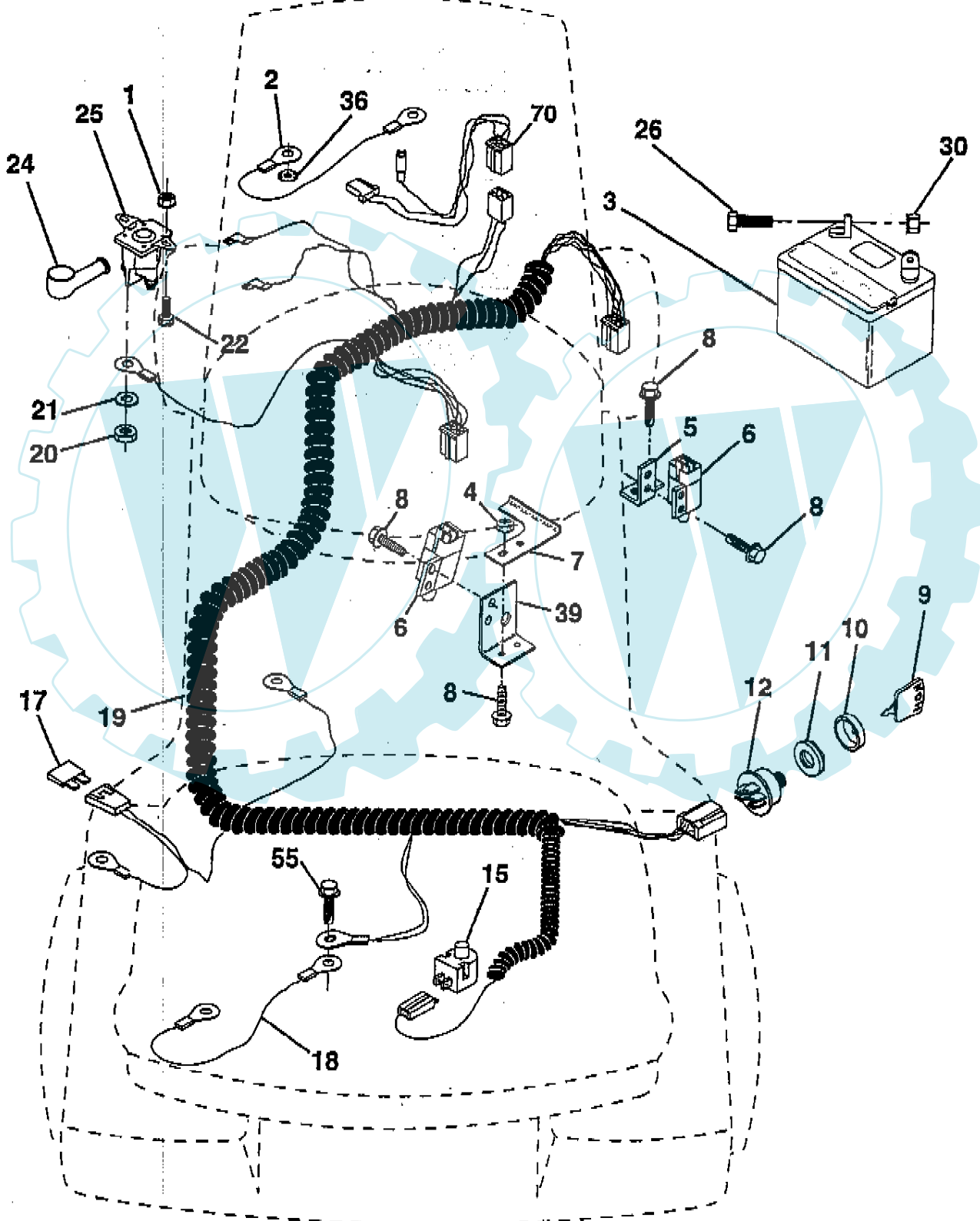
SCHEMATIC



REPAIR PARTS

TRACTOR -- MODEL NUMBER RE11B36B

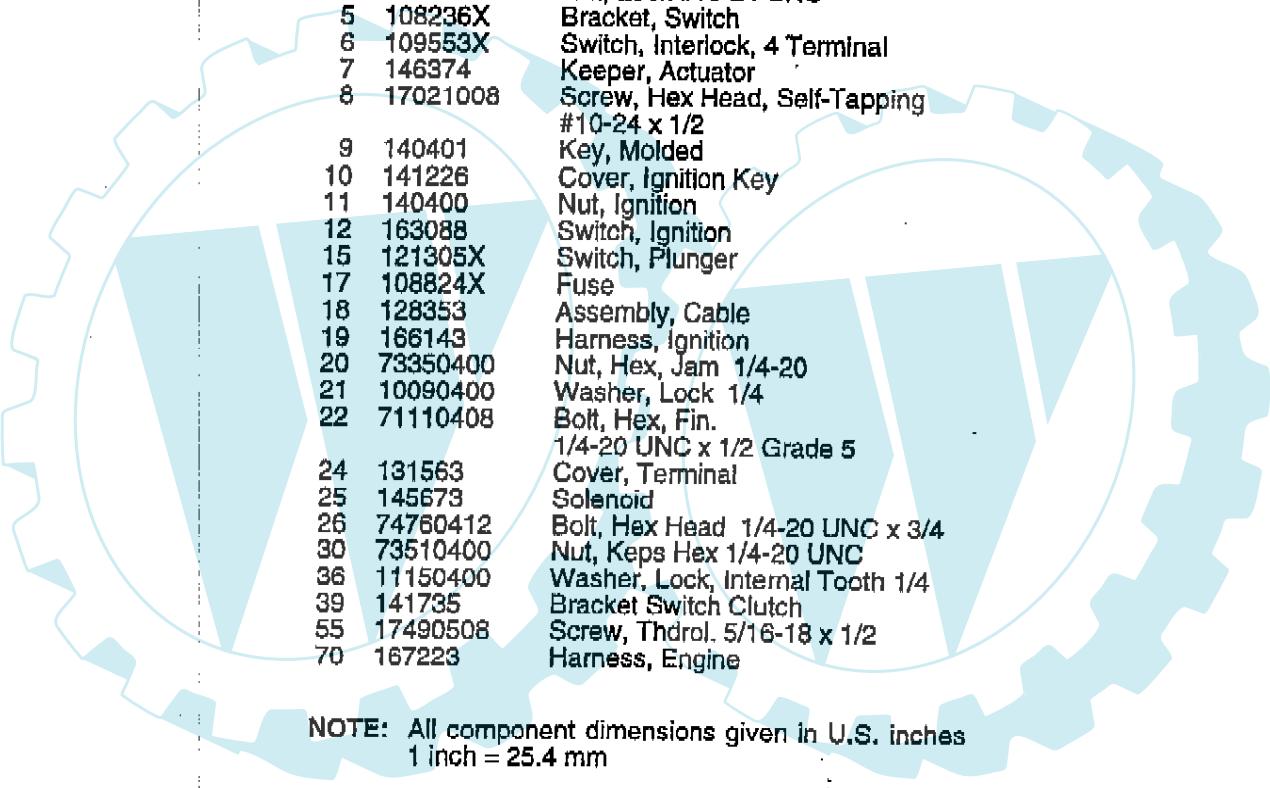
ELECTRICAL



REPAIR PARTS

TRACTOR - - MODEL NUMBER RE11B36B

ELECTRICAL



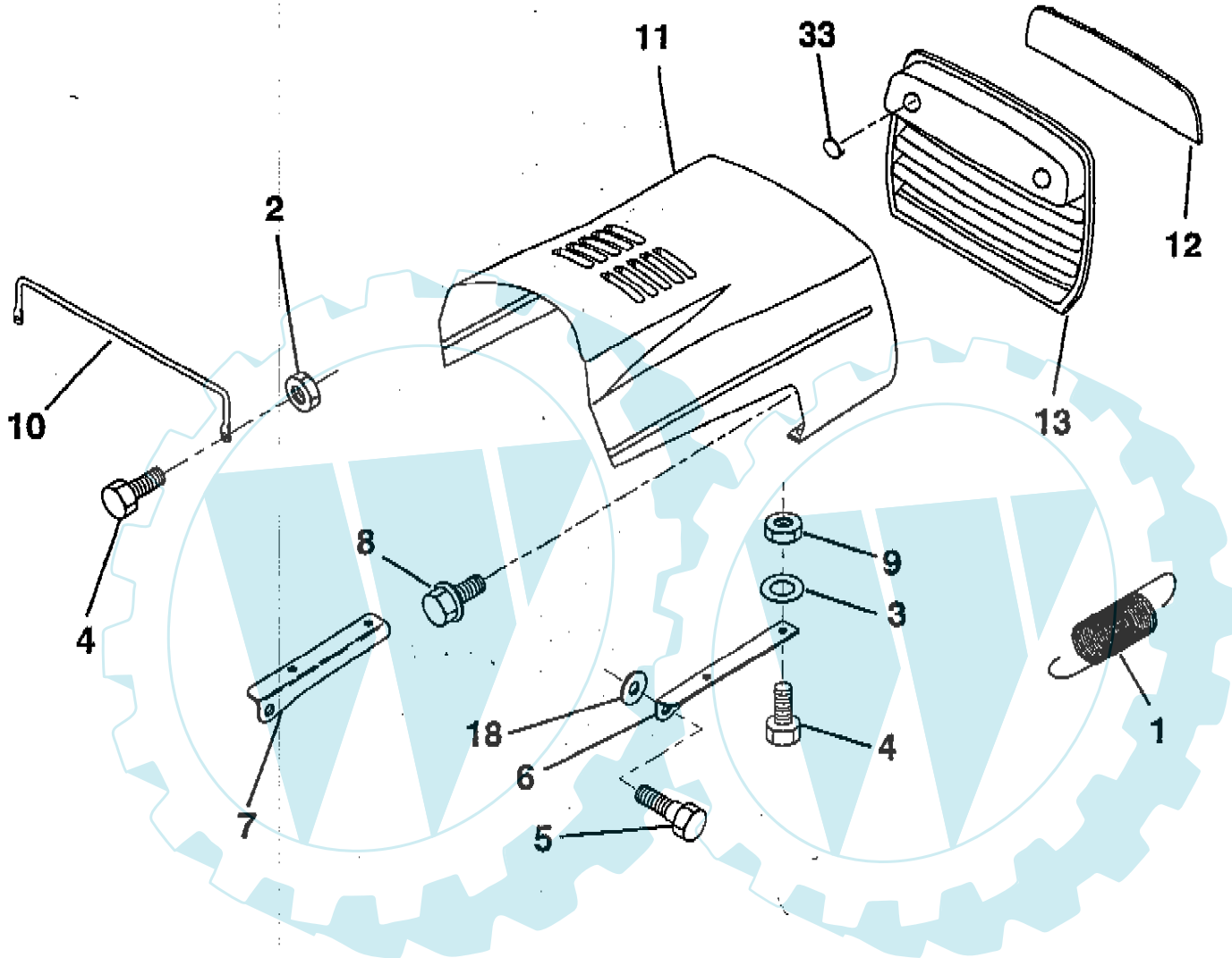
KEY NO.	PART NO.	DESCRIPTION
1	73640400	Nut, Hex, Keps 1/4-20
2	108423X	Assembly, Cable
3	144924	Battery
4	69180	Nut, Lock #10-24 UNC
5	108236X	Bracket, Switch
6	109553X	Switch, Interlock, 4 Terminal
7	146374	Keeper, Actuator
8	17021008	Screw, Hex Head, Self-Tapping #10-24 x 1/2
9	140401	Key, Molded
10	141226	Cover, Ignition Key
11	140400	Nut, Ignition
12	163088	Switch, Ignition
15	121305X	Switch, Plunger
17	108824X	Fuse
18	128353	Assembly, Cable
19	166143	Harness, Ignition
20	73350400	Nut, Hex, Jam 1/4-20
21	10090400	Washer, Lock 1/4
22	71110408	Bolt, Hex, Fin. 1/4-20 UNC x 1/2 Grade 5
24	131563	Cover, Terminal
25	145673	Solenoid
26	74760412	Bolt, Hex Head 1/4-20 UNC x 3/4
30	73510400	Nut, Keps Hex 1/4-20 UNC
36	11150400	Washer, Lock, Internal Tooth 1/4
39	141735	Bracket Switch Clutch
55	17490508	Screw, Thdrol. 5/16-18 x 1/2
70	167223	Harness, Engine

NOTE: All component dimensions given in U.S. inches
1 inch = 25.4 mm

REPAIR PARTS

TRACTOR - - MODEL NUMBER RE11B36B

100D



KEY NO.	PART NO.	DESCRIPTION
1	124657X	Spring, Extension
2	73510400	Nut, Hex, Keps 1/4-20 UNC
3	19091416	Washer 9/32 x 7/8 x 16 Ga.
4	74780412	Bolt, Hex, Fin 1/4-20 x 3/4 Grade 5
5	139888	Bolt, Shoulder
6	122549X	Bracket, Hood, R.H.
7	122548X	Bracket, Hood, L.H.
8	164863	Screw, HWHD Hi-Lo #13-16 x 3/4
9	73800400	Nut, Lock W/Insert 1/4-20

KEY NO.	PART NO.	DESCRIPTION
10	123693X	Brace, Hood
11	132918X505	Hood
12	122035X	Lens
13	127029X	Grill
18	19111116	Washer 11/32 x 11/16 x 16 Ga.
33	131319	Plug, Socket Light

NOTE: All component dimensions given in U.S. inches.
1 inch = 25.4 mm.

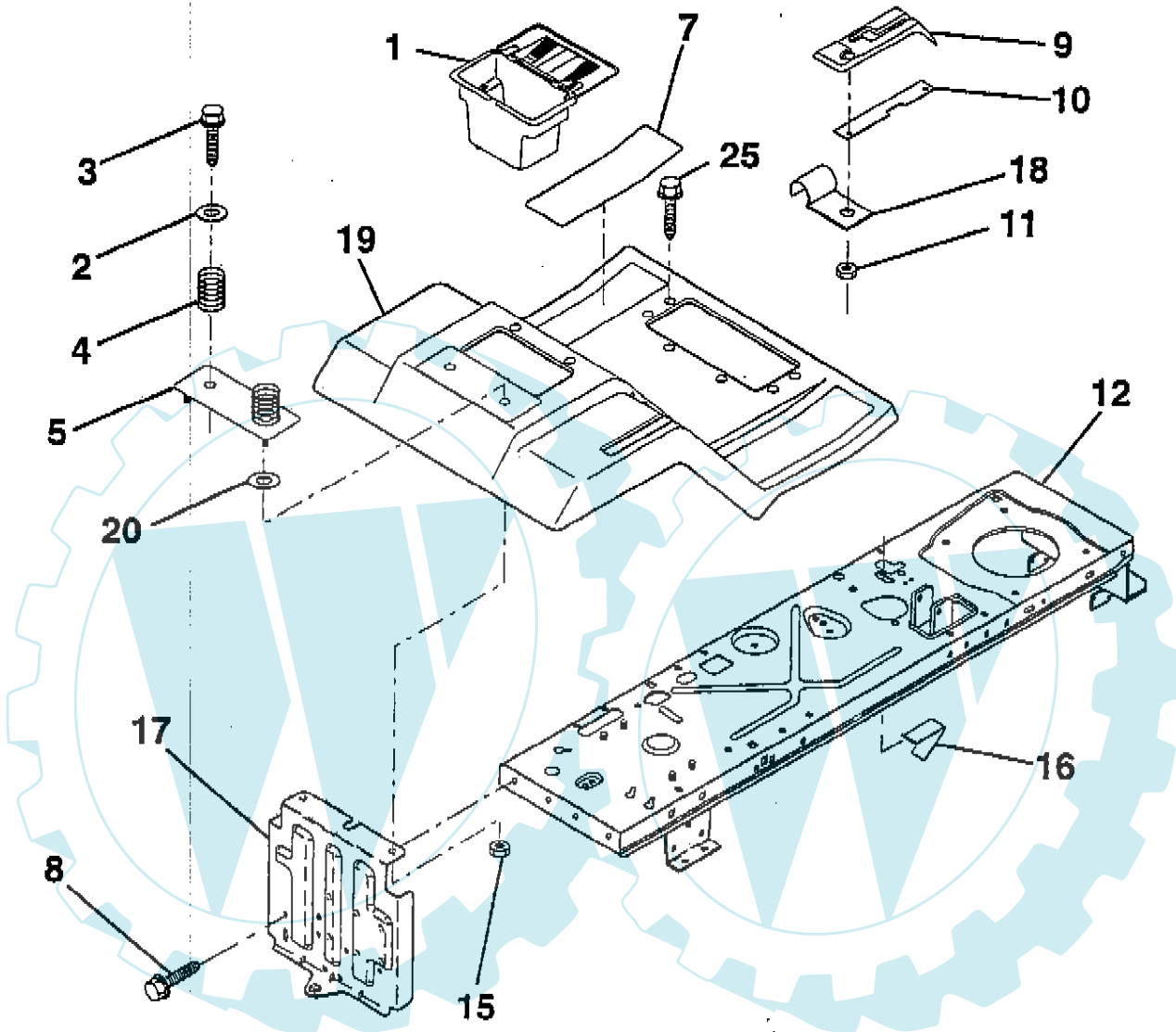
HARDWARE SHOWN LARGER FOR EASIER IDENTIFICATION

Ihr Ersatzteilspezialist im Internet

REPAIR PARTS

TRACTOR -- MODEL NUMBER RE11B36B

FENDER / CHASSIS



KEY NO.	PART NO.	DESCRIPTION
1	156417	Case, Battery
2	19132012	Washer 13/32 x 1-1/4 x 12 Gauge
3	17490612	Screw, Hex Washer Head, Thd. Roll. 3/8-16 x 3/4
4	124181X	Spring, Compression, Seat
5	127115X505	Plate, Battery
7	124144X	Pad, Footrest
8	17490512	Screw, Hex Washer Head, Thd. Roll. 5/16-18 x 3/4

KEY NO.	PART NO.	DESCRIPTION
11	124346X	Nut, Self-Threading 3/16
12	145190	Chassis Assembly, Weldment
15	73640400	Nut, Hex, Keps 1/4-20
16	141736	Switch, Actuator
17	140782	Drawbar
18	126470X	Clip, Insulated
19	204379X505	Fender/Footrest
20	19091413	Washer 9/32 x 7/8 x 13 Gauge
25	17050514	Screw Tapping

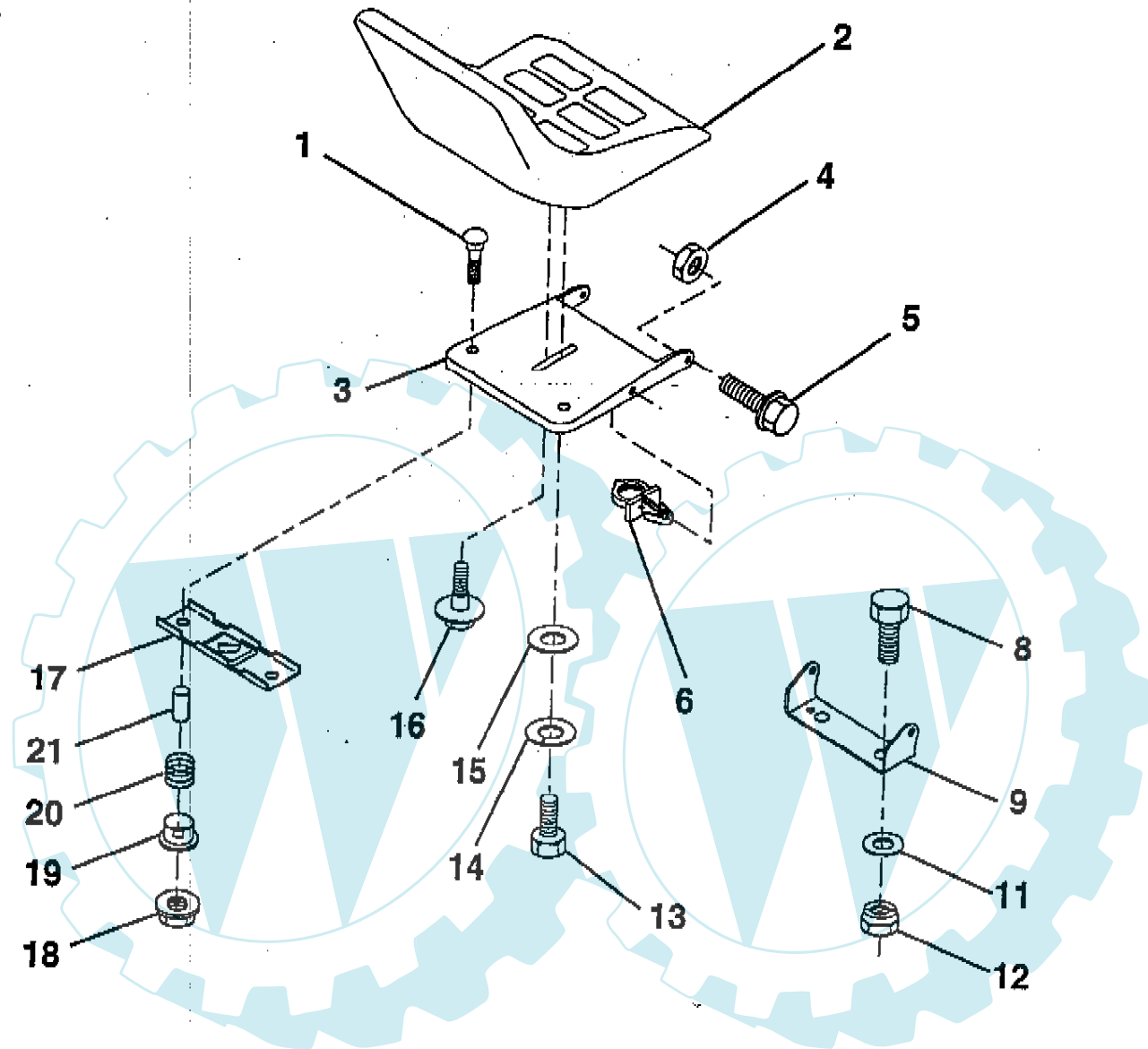
NOTE: All component dimensions given in U.S. inches
1 inch = 25.4 mm.

HARDWARE SHOWN LARGER FOR EASIER IDENTIFICATION

REPAIR PARTS

TRACTOR -- MODEL NUMBER RE11B36B

SEAT



KEY NO.	PART NO.	DESCRIPTION	KEY NO.	PART NO.	DESCRIPTION
1	72050412	Bolt, Carriage 1/4-20 x 1-1/2	13	74780814	Bolt, Fin Hex 1/2 - 13 x 7/8 Gr. 5
2	127426X	Seat	14	10040800	Washer Lock Hvy HLCL Spr. 1/2
3	155925	Pan, Seat	15	19171912	Washer 17/32 x 13/16 x 12 Gauge
4	73800500	Nut, Lock Hex W/Ins. 5/16-18	16	127018X	Bolt, Shoulder
5	153236	Bolt, Shld. 5/16-18	17	121246X	Bracket, Switch, Mounting
6	145006	Clip, Push-In	18	123976X	Locknut, Hex, Large, Flange
8	74760616	Bolt, Hex, Fin 3/8-16 UNC x 1	19	121248X	Bushing, Snap
9	140551	Bracket, Pivot, Seat	20	121250X	Spring, Compression
11	19133210	Washer 13/32 x 2 x 10 Gauge	21	134300	Spacer, Split, Large .28 Id. x .96
12	73800600	Nut, Lock Hex W/Wsh 3/8-16			

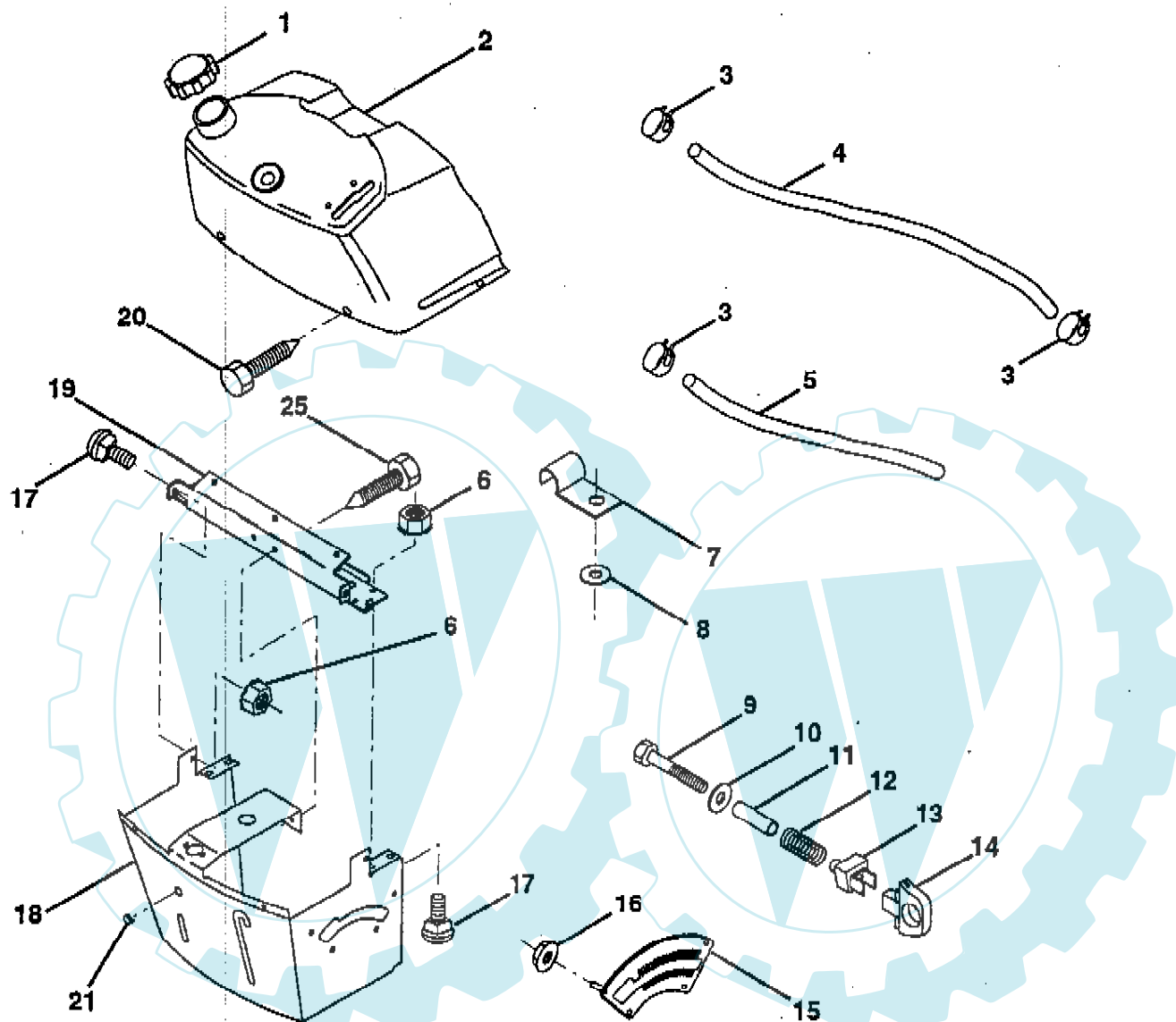
NOTE: All component dimensions given in U.S. inches.
1 inch = 25.4 mm.

HARDWARE SHOWN LARGER FOR EASIER IDENTIFICATION

REPAIR PARTS

TRACTOR -- MODEL NUMBER RE11B36B

DASH



KEY NO.	PART NO.	DESCRIPTION
1	141523	Cap, Fuel
2	138393	Assembly, Dash & Fuel Tank
3	123487X	Clamp, Hose
4	8544R	Line, Fuel
5	8548R	Line, Fuel
6	73640400	Nut, Hex, Keps 1/4-20
7	2751R	Clip, Fuel Line
8	19091216	Washer 9/32 x 3/4 x 16 Gauge
9	74760428	Bolt, Hex, Fin. 1/4-20 x 1-3/4
10	19091413	Washer 11/32 x 11/16 x 16 Gauge
11	121249X	Spacer, Split
12	3720R	Spring

KEY NO.	PART NO.	DESCRIPTION
13	126450X	Clip, Height Adjustment
14	126115X	Knob, Height Stop
15	122023X	Adjustment, Quadrant Height
16	124346X	Nut, Self-Threading 3/16-18
17	72110404	Bolt, Carriage 1/4-20 x 1/2 Grade 5
18	130745	Support Assembly, Dash
19	134744	Brace, Cross
20	17060408	Screw, Tap 1/4-20 x 1/2
21	134014	Plug, Dome
25	17720410	Screw Hex Thd Cut 1/4-20 x 5/8

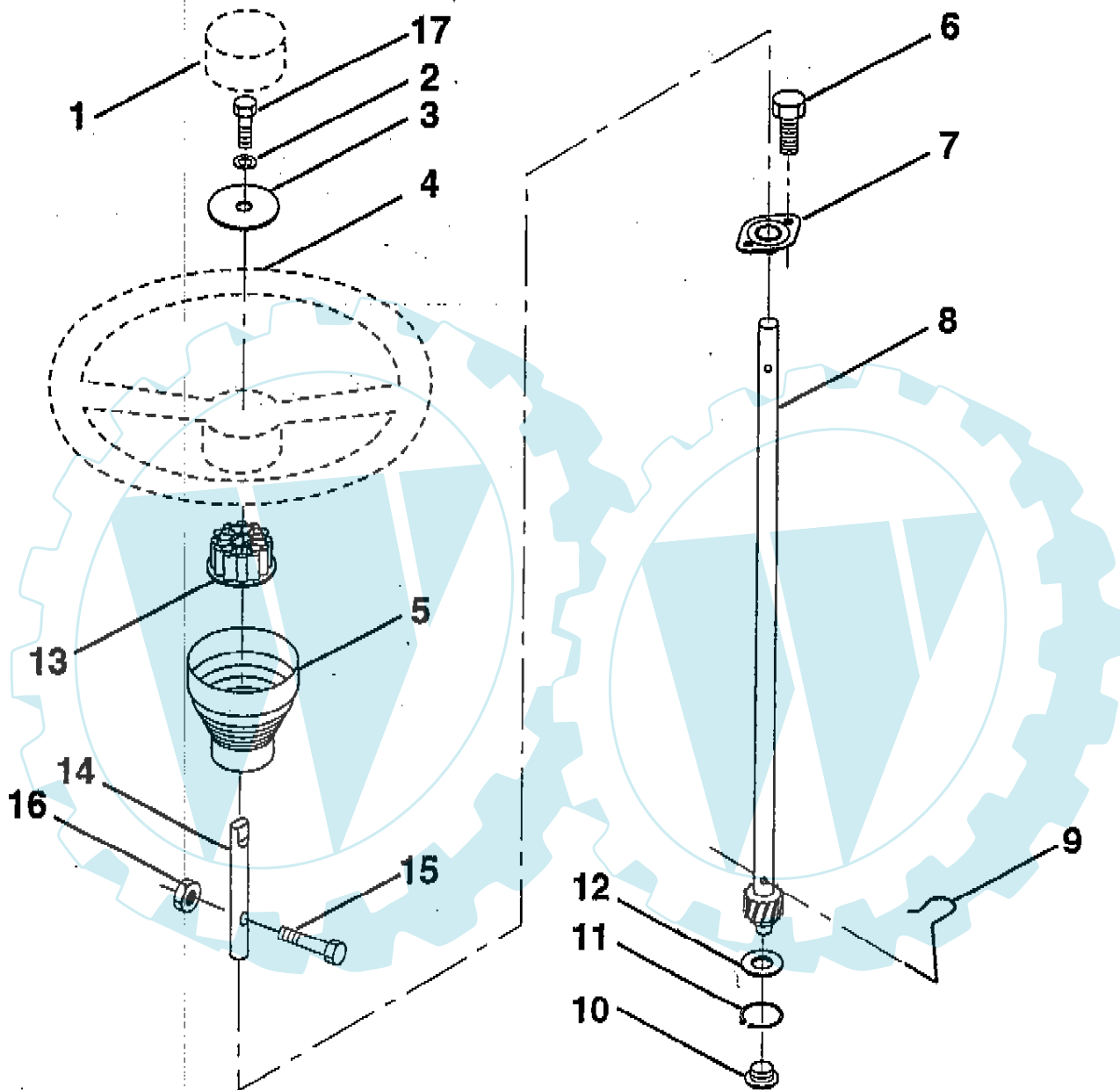
NOTE: All component dimensions given in U.S. Inches
1 inch = 25.4 mm.

HARDWARE SHOWN LARGER FOR EASIER IDENTIFICATION

REPAIR PARTS

TRACTOR -- MODEL NUMBER RE11B36B

STEERING WHEEL



KEY NO.	PART NO.	DESCRIPTION
1	133742	Insert, Steering Wheel
2	10040600	Washer, Lock Hvy H/cI
3	19133808	Washer 13/32 x 2-3/8 x 8 Ga.
4	133741	Wheel, Steering
5	121897X	Sleeve, Steering
6	152927	Screw, TT #10-32 5 3/8 Flange
7	155104	Bushing, Steering
8	147391	Shaft, Steering
9	124210X	Clip, Steering
10	123438X	Bushing, Lower, Steering

KEY NO.	PART NO.	DESCRIPTION
11	12000045	Ring, Retaining
12	19211616	Washer 21/32 x 1 x 16 Ga.
13	100711L	Adaptor, Steering Wheel
14	153720	Extension, Shaft Steering
15	74780520	Bolt, Fin., Hex 5/16-18 UNC x 1-1/4
16	73800500	Nut, Lock Hex W/Ins. 5/16-18 UNC
17	74780616	Bolt, Fin Hex 3/8-16 Unc x 1 Gr. 5

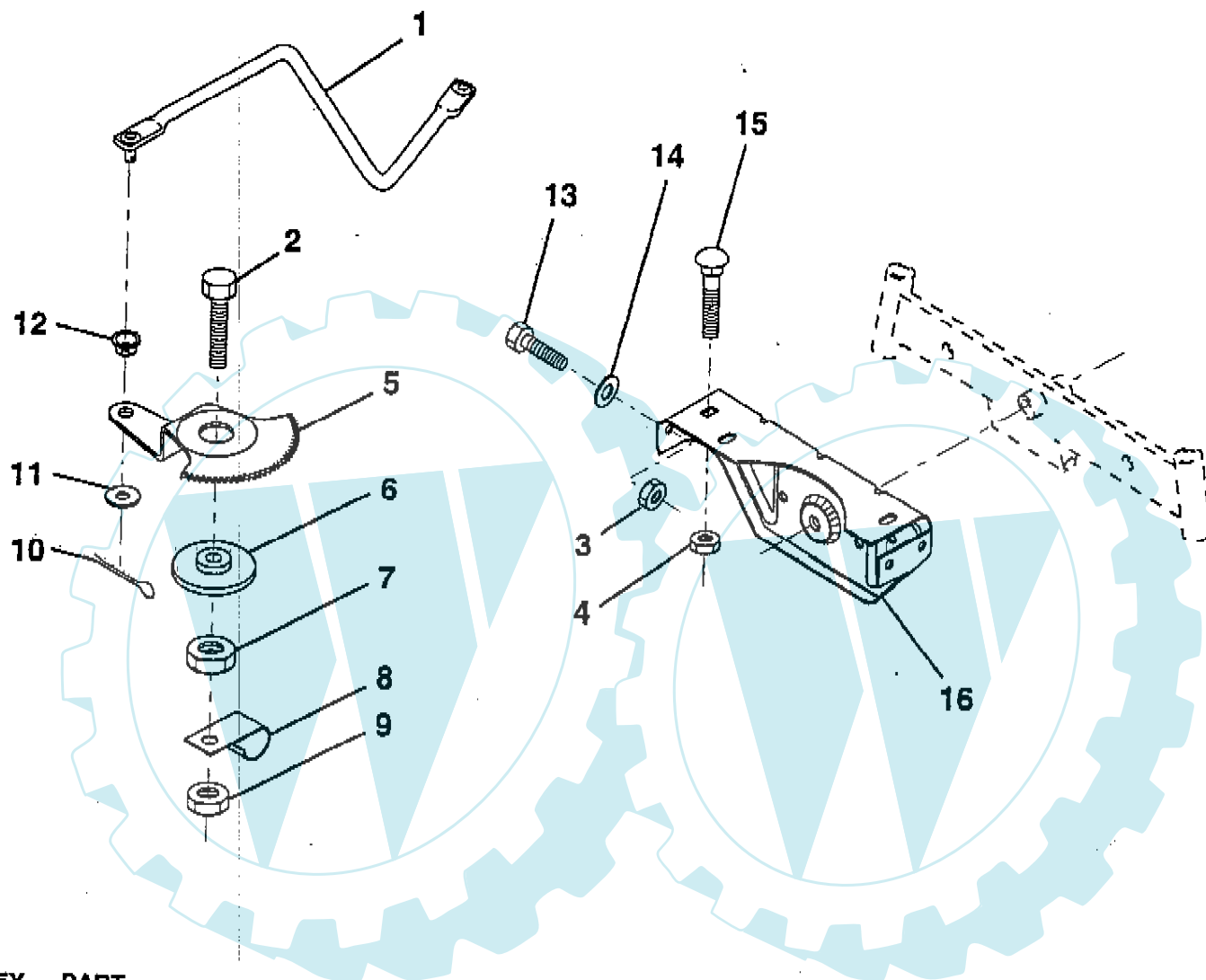
NOTE: All component dimensions given in U.S. inches
1 inch = 25.4 mm.

HARDWARE SHOWN LARGER FOR EASIER IDENTIFICATION

REPAIR PARTS

TRACTOR - - MODEL NUMBER RE11B36B

SECTOR GEAR / AXLE SUPPORT



KEY NO.	PART NO.	DESCRIPTION
1	132566	Link, Drag
2	74780828	Bolt, Hex, Fin 1/2-13 x 1-3/4
3	73680500	Nut, Crownlock 5/16-18
4	73680600	Nut, Crownlock 3/8-16 UNC
5	121926X	Gear, Sector
6	121927X	Bushing
7	73030800	Nut, Heavy, Hex, Top Lock 1/2-13 UNC
8	126472X	Clip, Wire
9	73680800	Nut, Crownlock 1/2-13

KEY NO.	PART NO.	DESCRIPTION
10	76020412	Pin, Cotter 1/8 x 3/4
11	19131316	Washer 13/32 x 13/16 x 16 Ga.
12	126847X	Bushing
13	74760512	Bolt, Hex 5/16-18 x 3/4
14	19111416	Washer 11/32 x 7/8 x 16 Ga.
15	72110606	Bolt, Carriage 3/8-16 UNC x 3/4
16	137096	Support, Front Axle

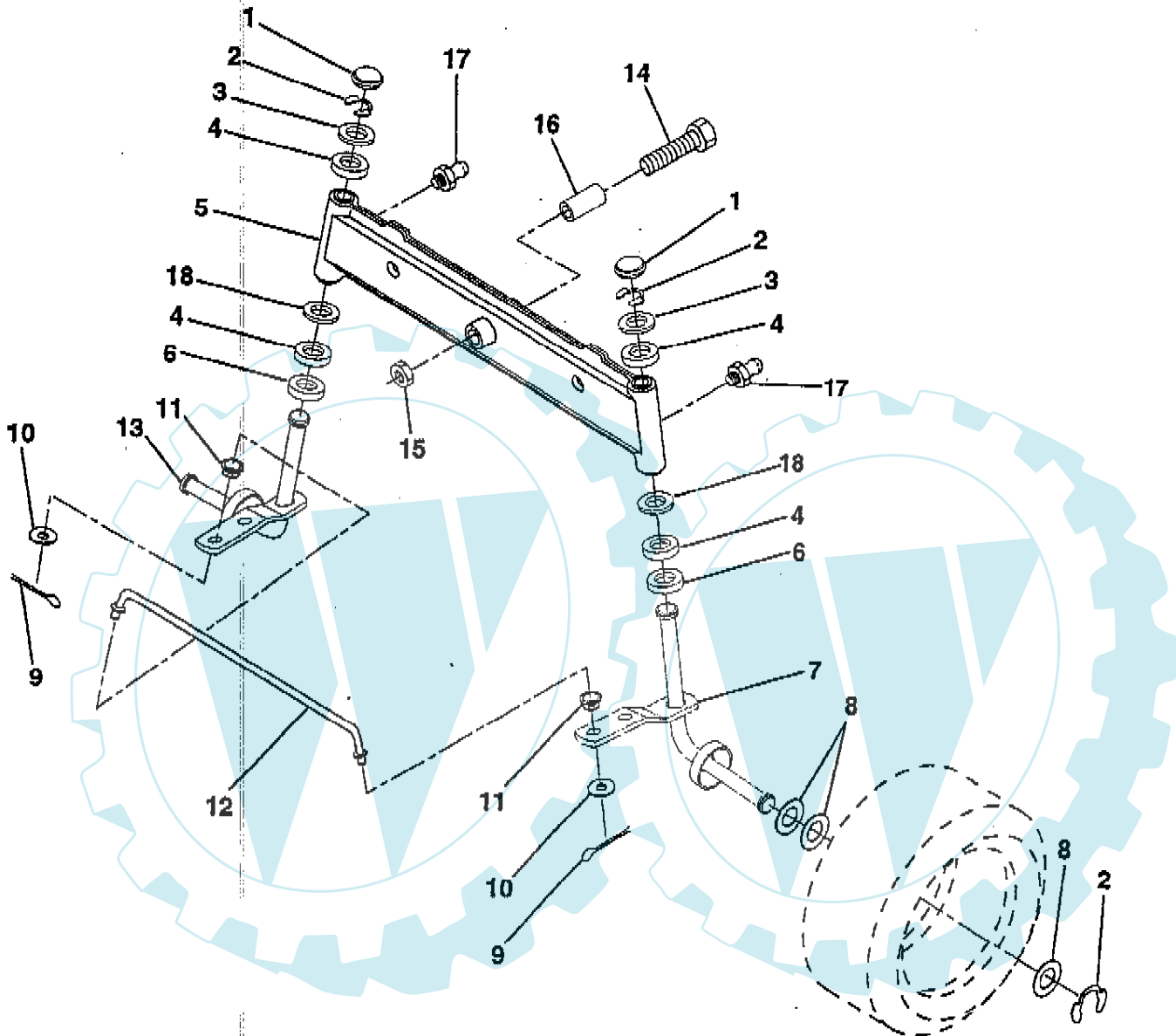
NOTE: All component dimensions given in U.S. inches
1 inch = 25.4 mm.

HARDWARE SHOWN LARGER FOR EASIER IDENTIFICATION

REPAIR PARTS

TRACTOR - - MODEL NUMBER RE11B36B

FRONT AXLE



KEY NO.	PART NO.	DESCRIPTION
1	121232X	Cap, Spindle
2	12000029	Ring, Clip
3	121748X	Washer 25/32 x 1-5/8 x 16 Gauge
4	3366R	Bearing
5	142033	Axle, Front
6	6266H	Bearing, Thrust
7	161826	Spindle Assembly, R.H.
8	121749X	Washer 25/32 x 1-1/4 x 16 Gauge
9	76020412	Pin, Cotter 1/8 x 3/4
10	19131316	Washer 13/32 x 13/16 x 16 Gauge

KEY NO.	PART NO.	DESCRIPTION
11	126847X	Bushing
12	130465	Rod, Tie
13	161827	Spindle Assembly, L.H.
14	74011056	Bolt, Hex 5/8-11 x 3-1/2
15	73901000	Nut, Lock Flange 5/8-11
16	110438X	Spacer
17	6855M	Fitting, Grease
18	19272016	Washer 27/32 x 1-1/4 x 16 Ga.

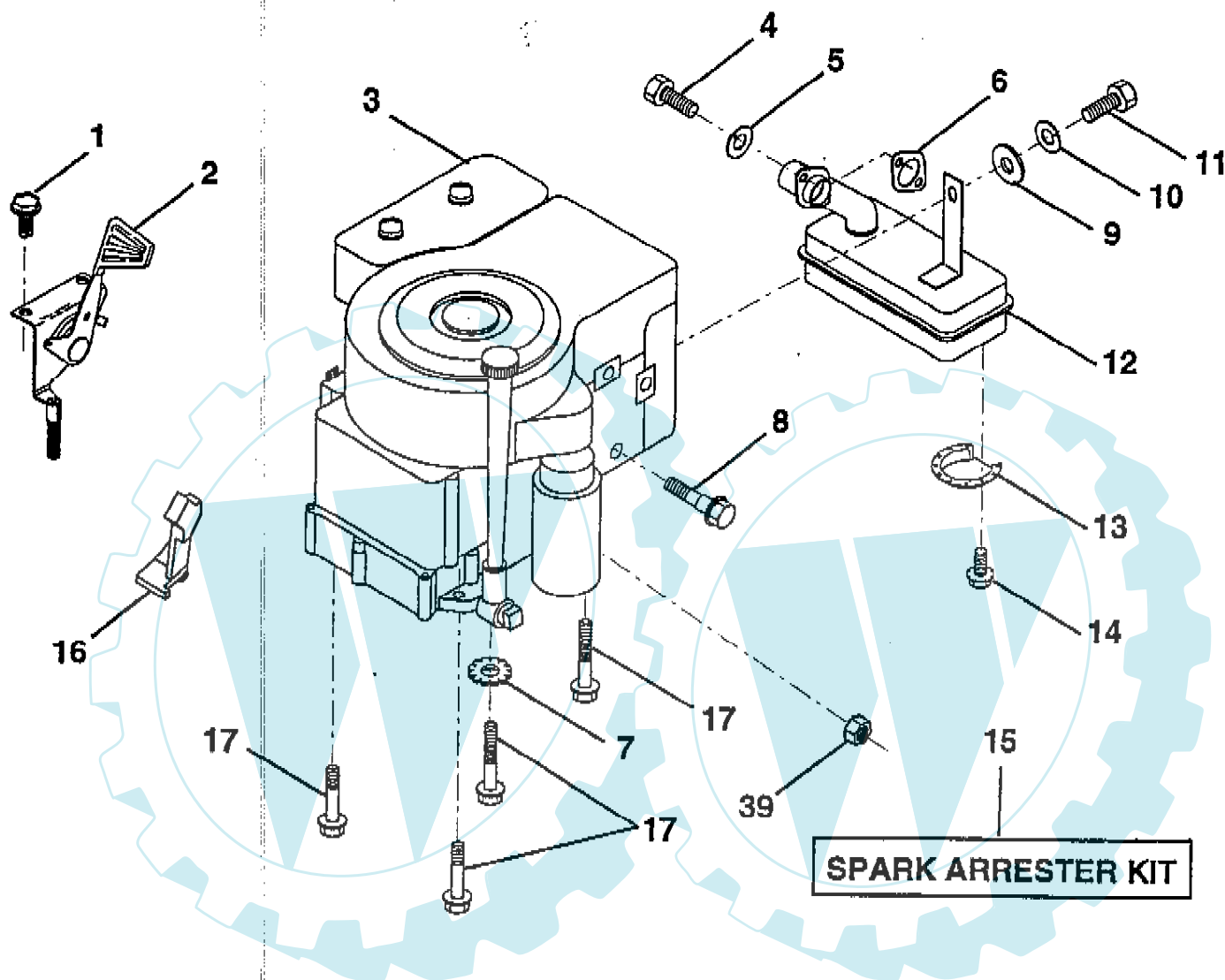
NOTE: All component dimensions given in U.S. inches
1 inch = 25.4 mm.

HARDWARE SHOWN LARGER FOR EASIER IDENTIFICATION

REPAIR PARTS

TRACTOR -- MODEL NUMBER RE11B36B

ENGINE / THROTTLE



KEY NO.	PART NO.	DESCRIPTION
1	17720410	Screw, Hex, Thread
2	133025	Control, Throttle
3	-----	Engine Briggs Model 28R707 Order parts from engine manufacturer
4	71070512	Screw, Hex Hd
5	10040500	Washer, Lock, Hvy Hlcl Spring 5/16
6	165291	Gasket, Exhaust
7	11050600	Washer Lock Ext. Tooth 3/8
8	121094X	Bolt, Shoulder 5/16 UNC
9	19101216	Washer 5/16 x 3/4 x 16 Gauge
10	10040400	Washer, Lock, Hvy Hlcl Spring 1/4

KEY NO.	PART NO.	DESCRIPTION
11	-----	Bolt, Order from Engine Mfg.
12	137437	Muffler
13	101326L	Deflector, Muffler
14	17030808	Screw, Spiderloc Hex Hd. 8 x 1/2
15	137180	Kit, Spark Arrester (Optional)
16	127951	Stop, Choke
17	17490624	Screw, Hex Washer Head, Thd. Roll. 3/8-16 x 1-1/2
39	128861	Nut, Flange 1/4-20

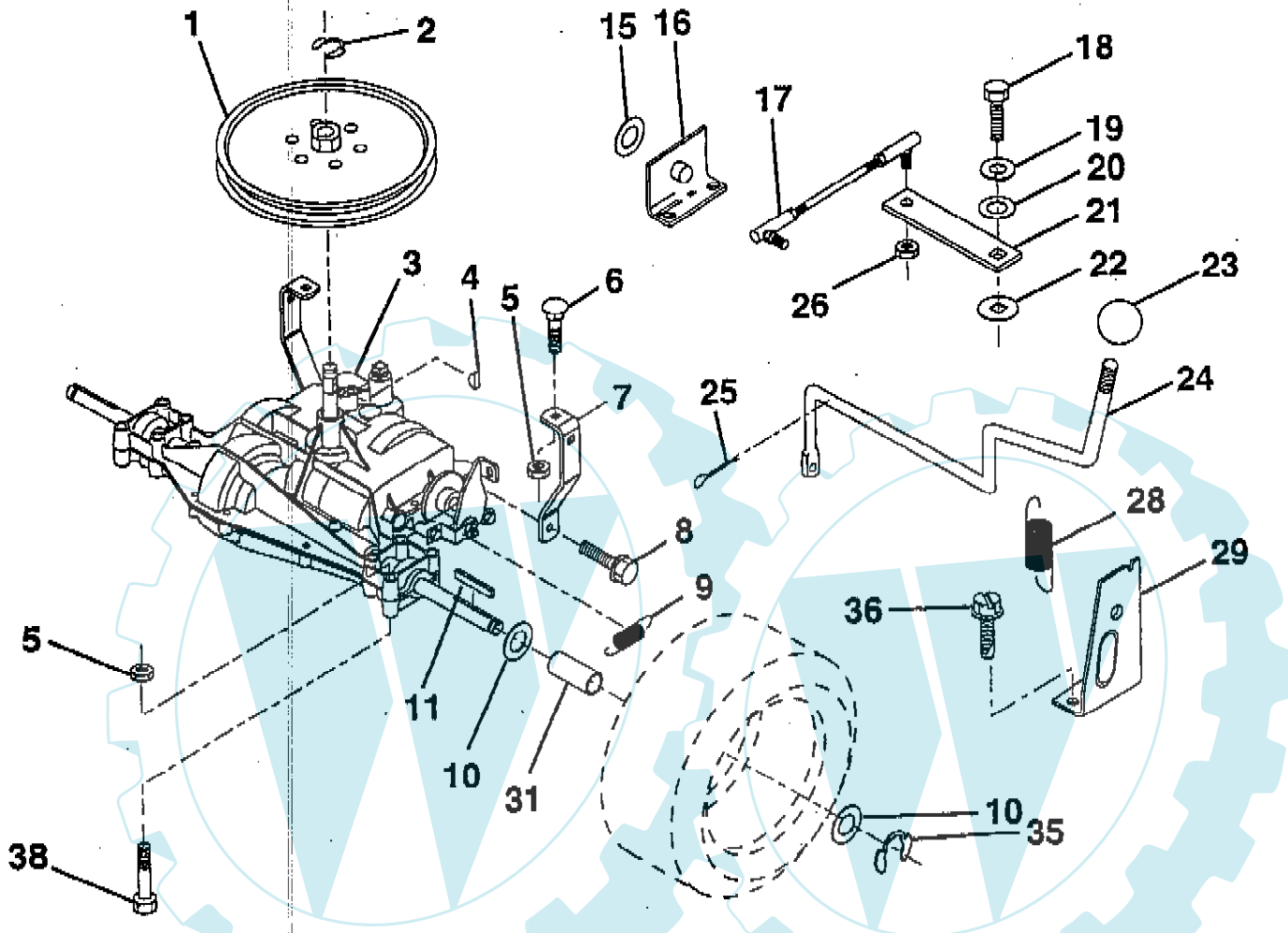
NOTE: All component dimensions given in U.S. inches
1 inch = 25.4 mm.

HARDWARE SHOWN LARGER FOR EASIER IDENTIFICATION

REPAIR PARTS

TRACTOR - - MODEL NUMBER RE11B36B

TRANSAXLE



KEY NO.	PART NO.	DESCRIPTION	KEY NO.	PART NO.	DESCRIPTION
1	123385X	Pulley	19	10040400	Washer, Lock 1/4
2	1200028	Ring, Retainer	20	19091210	Washer 9/32 x 3/4 x 10 Gauge
3	-----	Transaxle Peerless 205-507B (Order parts from transaxle manufacturer)	21	126292X	Arm, Shift
4	2228M	Key, Woodruff #9	22	105701X	Washer, Shift Plate
5	73680500	Nut, Lock Hex 5/16-18	23	106933X	Knob, Deluxe
6	72140506	Bolt, Carriage 5/16-18 UNC x 3/4	24	128215	Rod, Shift
7	123378X	Strap, Torque	25	76020416	Pin, Cotter 1/8 x 1
8	17490512	Screw 5/16-18 x 3/4	26	73810500	Nut, Hex, Nylon 5/16-24 UNF
9	146682	Spring, Brake	28	128085	Spring, Extension
10	121749X	Washer 25/32 x 1-1/4 x 16 Gauge	29	128084	Support, Handle, Shift, R.H.
11	123583X	Key, Square	31	137057	Spacer, Split
15	19171616	Washer 17/32 x 16 Ga.	35	12000001	E-Ring
16	124600X	Support, Handle Shift	36	17720408	Screw, Thdcut. 1/4-20 x 1/2
17	126293X	Link, Shift	38	74490540	Bolt, Hex, Flgnd 5/16-18
18	74550412	Bolt, Hex, Fin 1/4-28 UNF x 3/4 Gr. 8			

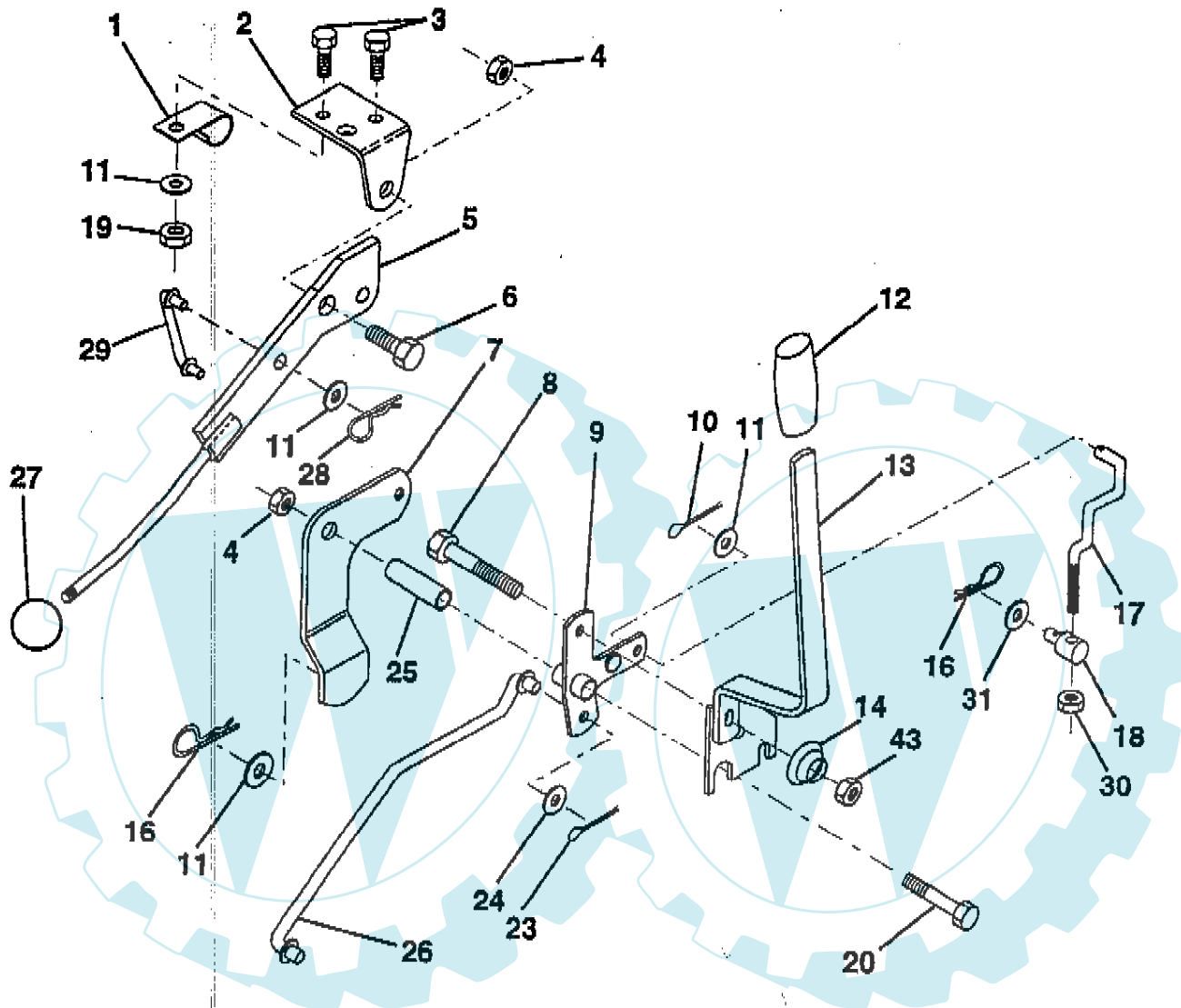
NOTE: All component dimensions given in U.S. inches.
1 inch = 25.4 mm.

HARDWARE SHOWN LARGER FOR EASIER IDENTIFICATION

REPAIR PARTS

TRACTOR -- MODEL NUMBER RE11B36B

MOWER LIFT LEVER



KEY NO.	PART NO.	DESCRIPTION
1	126470X	Clip, Insulated
2	122018X	Bracket, Mower Clutch
3	71110408	Bolt, Hex, Fin 1/4-20 UNC x 1/2 Grade 5
4	73680600	Nut, Crownlock 3/8-16
5	145187	Assembly, Clutch Lever
6	106451X	Bolt, Shoulder
7	135371	Assembly, Mower Clutch Arm
8	74760636	Bolt, Hex 3/8-16 UNC x 2-1/4
9	121930X	Assembly, Bellcrank, Lift
10	76020412	Pin, Cotter 1/8 x 3/4
11	19131316	Washer 13/32 x 13/16 x 16 Gauge
12	191861	Sleeve, Handle
13	139352	Assembly, Lift Handle
14	123496X	Spring, Compression
16	4921H	Retainer, Spring

KEY NO.	PART NO.	DESCRIPTION
17	127359	Link, Front Lift
18	142028	Trunnion, Threaded 3/8-16
19	73680400	Nut, Crownlock 1/4-20
20	74760644	Bolt, Hex, Fin. 3/8-16 UNC x 2-3/4
23	76020416	Pin, Cotter 1/8 x 1
24	19171612	Washer 17/32 x 1 x 12 Gauge
25	121933X	Tube, Spacer
26	141470	Rod, Mower Lift
27	106932X	Knob, Rd
28	4497H	Retainer Spring
29	131655	Link, Mower Clutch
30	73350600	Nut, Hex Jam 3/8-16
31	19132012	Washer 13/32 x 1-1/4 x 12 Ga.
43	73900600	Nut Lock Flg 3/8-16

NOTE: All component dimensions given in U.S. inches.
1 Inch = 25.4 mm.

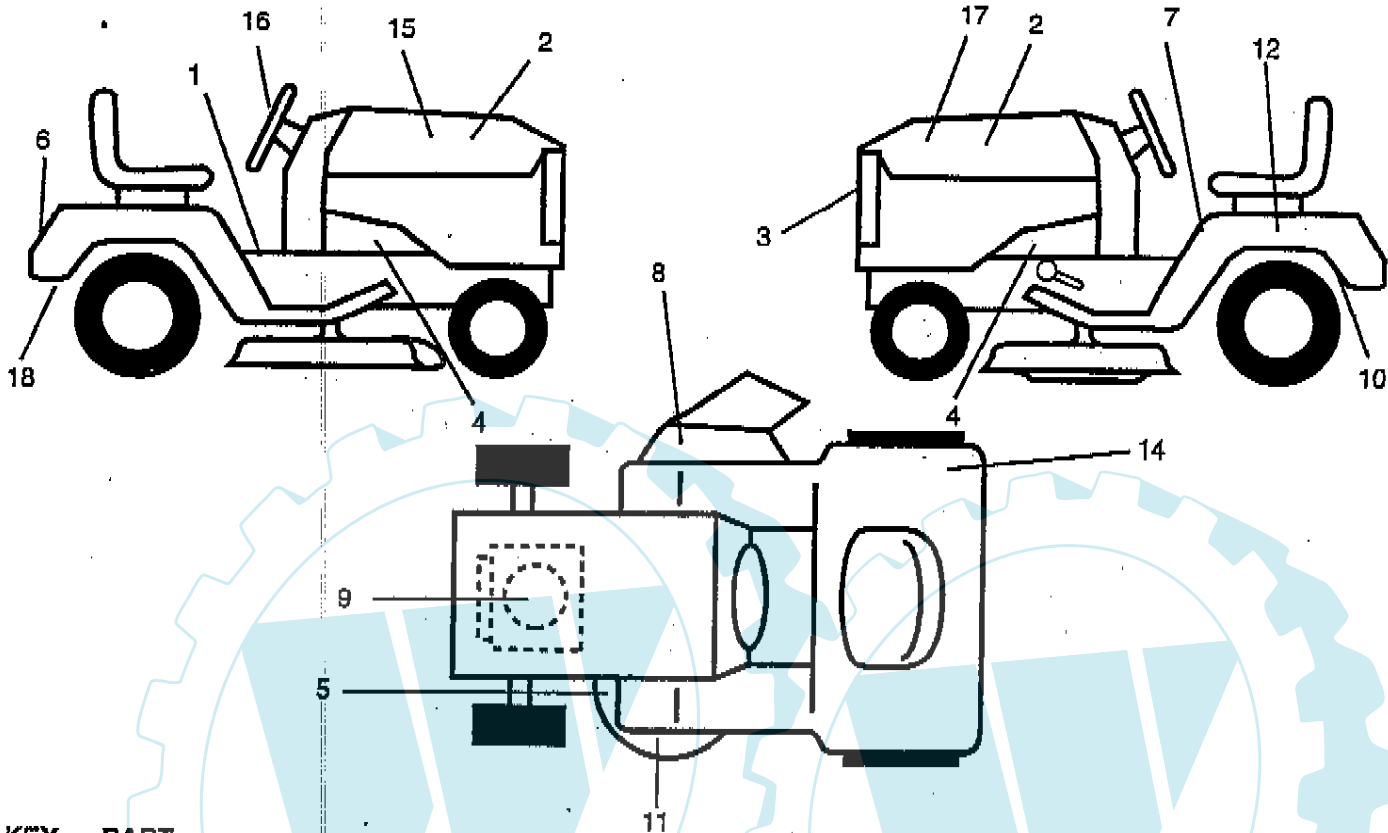
HARDWARE SHOWN LARGER FOR EASIER IDENTIFICATION

Ihr Ersatzteil-spezialist im Internet

REPAIR PARTS

TRACTOR -- MODEL NUMBER RE11B36B

DECALS

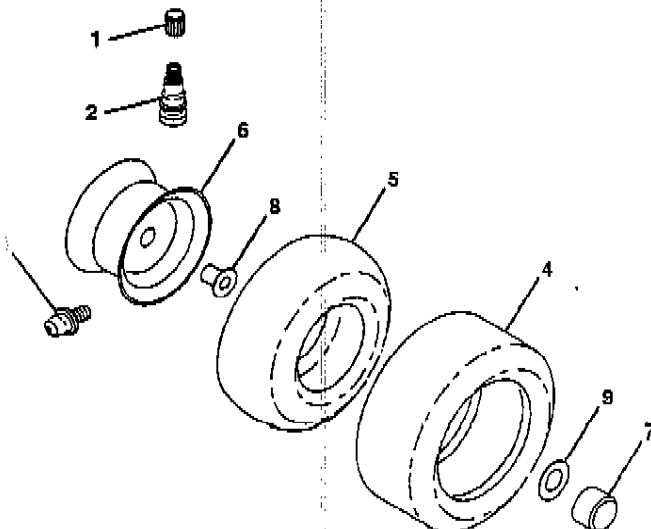


KEY NO.	PART NO.	DESCRIPTION
1	159739	Decal, Brake/Clutch Sym.
2	139708	Decal, Insert., Hood
3	132627	Decal, Grill
4	159736	Decal, Chassis Hot Muffler
5	136830	Decal, V-Belt Sch.
6	132628	Decal, Fender
7	145498	Decal, Caution, Read Owner's Man.
8	145494	Decal, International Outfitter
9	165331	Decal, Engine
10	162598	Decal, Drawbar Load Limit
11	135013	Decal, Deck Enviro

KEY NO.	PART NO.	DESCRIPTION
12	145005	Decal, Caution, Battery
14	126187X	Decal 100 DbA
15	141743	Decal, Hood RH
16	127075	Decal, Wheel Steering
17	141744	Decal, Hood LH
18	145437	Decal, Europe Stan. CE Tractors
--	138311	Decal, Height Adjust
--	157065	Manual, Operator's (Euro)
--	167026	Manual, Repair Parts

Available accessories not included with tractor:
 C36 Grass Catcher
 MK360 Mulcher Kit

TIRES & WHEELS



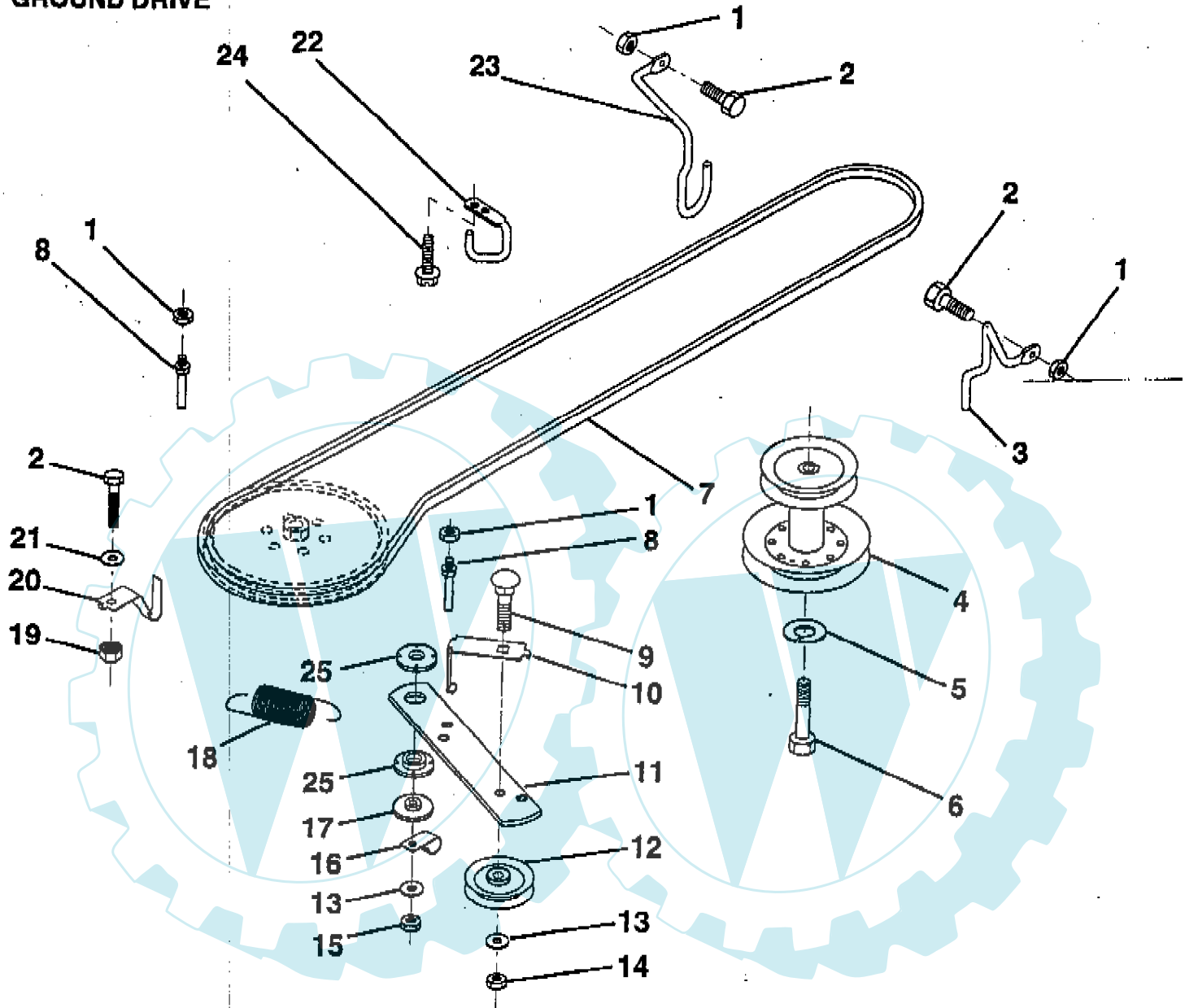
KEY NO.	PART NO.	DESCRIPTION
1	59192	Cap, Valve
2	65139	Stem, Valve
3	278H	Fitting, Grease (Front Only)
4	132703X	Tire, Front
	137422X	Tire, Rear
5	59904	Tube, Tire, Front
	8134H	(Optional, Service Item Only) Tube, Tire, Rear
	140235X427	(Optional, Service Item Only) Rim Assembly, Front
	140317X427	Rim Assembly, Rear
6	104757X	Cap, Axle
7	9040H	Bearing, Flange (Front Only)
8	121748X	Washer, Axle Cap
9	144334	Sealant, Tire (10 oz. Tube)

NOTE: All component dimensions given in U. S. inches
 1 inch = 25.4 mm

REPAIR PARTS

TRACTOR -- MODEL NUMBER RE11B36B

GROUND DRIVE



KEY NO.	PART NO.	DESCRIPTION
1	73680500	Nut, Crownlock 5/16-18
2	74760512	Bolt, Hex 5/16-18 UNC x 3/4
3	141342	Keeper, Mower Drive Belt, Engine, R.H.
4	138029	Pulley, Engine
5	10040700	Washer, Lock, Heavy Helical Spring 7/16
6	71170744	Bolt, Hex, 7/16-20 x 2-3/4 Grade 5
7	126520X	Traction, V-Belt Drive
8	123405X	Keeper, T/A Ground Drive Belt
9	72140612	Bolt, Carriage 3/8-16 UNC x 1-1/2
10	123396X	Keeper, Ground Drive Belt, Idler
11	150926	Arm, Ground Drive Clutch
12	123674X	Idler, Flat
13	19131316	Washer 13/32 x 13/16 x 16 Gauge

KEY NO.	PART NO.	DESCRIPTION
14	73930600	Nut, Centerlock 3/8-16 UNC
15	73680800	Nut, Crownlock 3/8-16
16	126471X	Clip, Insulated
17	150932	Spacer, Retainer
18	131459	Spring, Extension
19	73510500	Nut, Keps 5/16-18 UNC
20	139919	Keeper, T/A Ground Drive Belt
21	19111016	Washer 11/32 x 5/8 x 16 Gauge
22	123404X	Keeper, Ground Drive Belt, Frame
23	140916	Keeper, Mower Drive Belt, L.H.
24	17720408	Screw Thdcut 1/4-20 x 1/2
25	150935	Bushing, Nylon, Collered

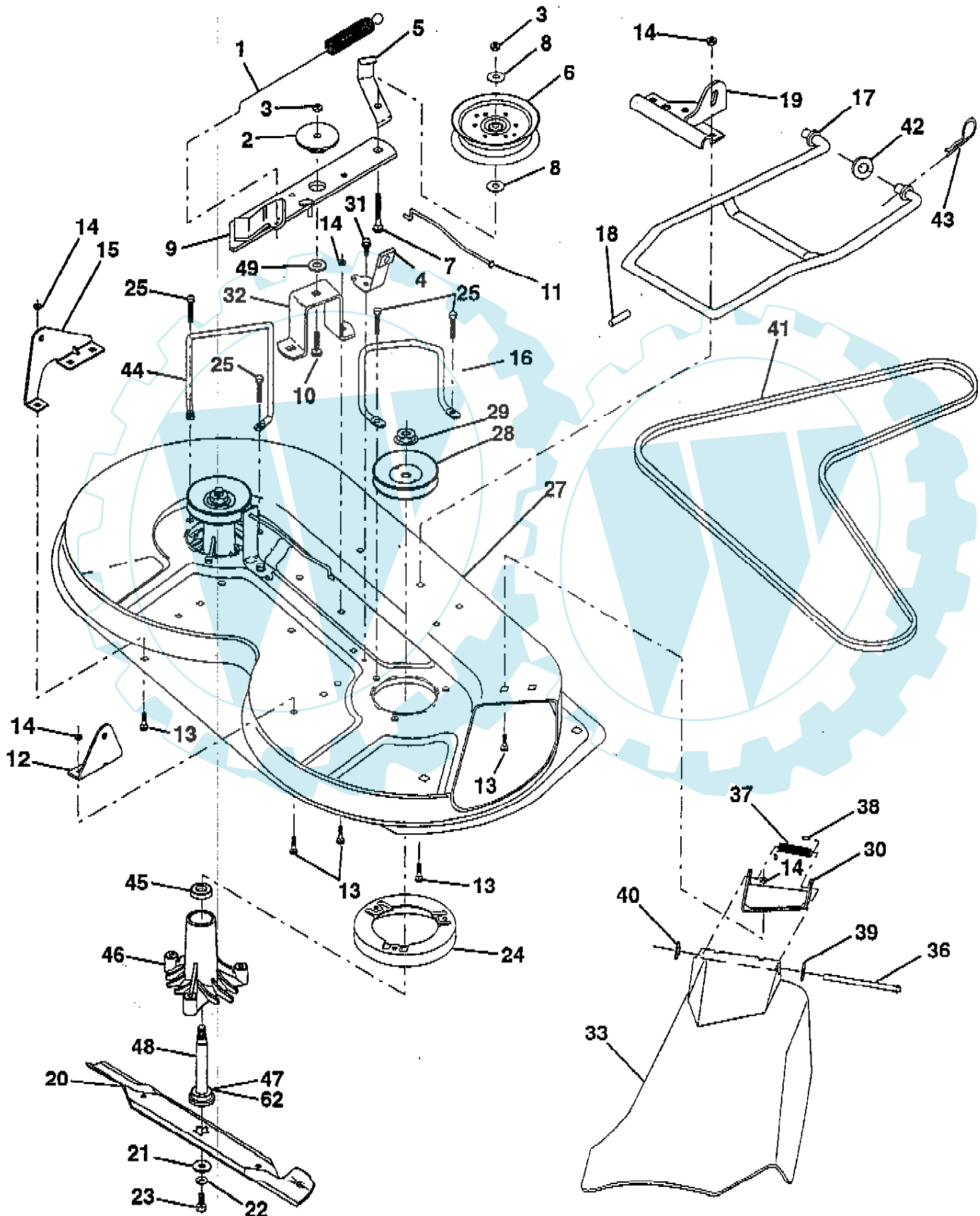
NOTE: All component dimensions given in U.S. inches
1 inch = 25.4 mm.

HARDWARE SHOWN LARGER FOR EASIER IDENTIFICATION

REPAIR PARTS

TRACTOR - - MODEL NUMBER RE11B36B

MOWER DECK



REPAIR PARTS

TRACTOR - - MODEL NUMBER RE11B36B

MOWER DECK

KEY NO.	PART NO.	DESCRIPTION
1	140064	Spring, Mower Clutch
2	122052X	Spacer, Retainer
3	73680600	Nut, Crownlock 3/8-16
4	130840	Assembly, Brake
5	131251	Guide, Belt Idler
6	121316X	Idler, Flat
7	72110616	Bolt, Carriage 3/8-16 x 2 Grade 5
8	19131410	Washer 13/32 x 7/8 x 10 Gauge
9	127744	Assembly, Mower Idler Arm
10	72140610	Bolt, Carriage 3/8-16 x 1-1/4
11	130841	Rod, Brake
12	127356	Bracket, Rear Lift, R.H.
13	72140506	Bolt, Carriage 5/16-18 UNC x 5/8
14	73680500	Nut, Crownlock 5/16-18
15	127357	Bracket, Rear Lift, L.H.
16	153298	Keeper, R.H.
17	128508	Stabilizer, Mower Link
18	128511	Pin, Drive
19	127380	Bracket, Stabilizer Link
20	138496	Blade, Mwr 36 High Lift
21	140296	Washer, Hard Blade Mower Vented
22	10030600	Washer, Lock, Heavy 3/8
23	850857	Bolt 3/8-24 x 1-1/4 Grade 8
24	140329	Stripper
25	157722	Screw, Thdrol. Wsh Hd.
27	156600	Housing, Mower
28	153531	Pulley, Mandrel
29	137266	Nut, Flangelock 9/16

KEY NO.	PART NO.	DESCRIPTION
30	136631	Bracket, Deflector
31	17490508	Screw, Hex Washer Head, Thd. Roll. 5/16-18 x 1/2
32	122051X	Arm, Support Idler, Mower
33	131560	Shield, Deflector
36	121980X	Rod, Hinge
37	123713X	Spring, Torsion Deflector
38	105304X	Cap, Sleeve
39	19111016	Washer 11/32 x 5/8 x 16 Gauge
40	110452X	Nut, Push
41	131264	V-Belt
42	19171616	Washer 11/32 x 5/8 x 16 Gauge
43	3146R	Clip, Hairpin
44	140608	Keeper, L.H.
45	110485X	Bearing
46	128774	Housing, Mandrel, Vented
47	129895	Bearing
48	137645	Shaft, Mandrel (Includes Key Number 47)
49	133943	Washer, Hardened
62	153390	Washer Felt
--	130794	Mandrel Assembly (Includes Key Numbers 21-23, 26, 29 and 45-48)
--	156866	Deck, Serv 36 HP

NOTE: All component dimensions given in U.S. inches
1 inch = 25.4 mm.

HARDWARE SHOWN LARGER FOR EASIER IDENTIFICATION